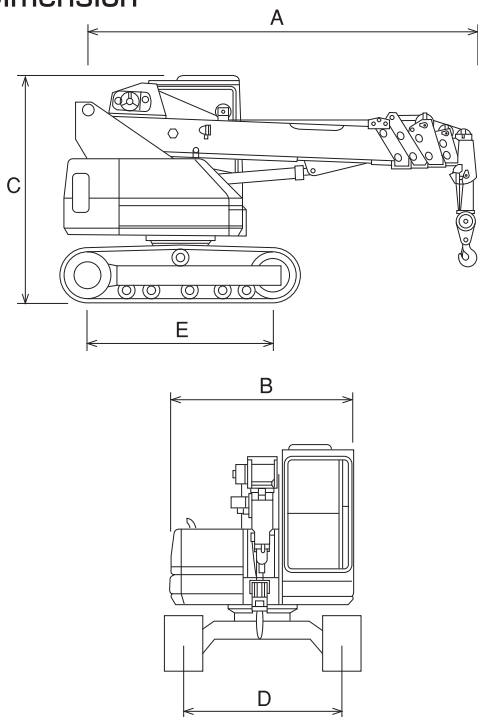


Crawler Crane 2.75ton·4.9ton

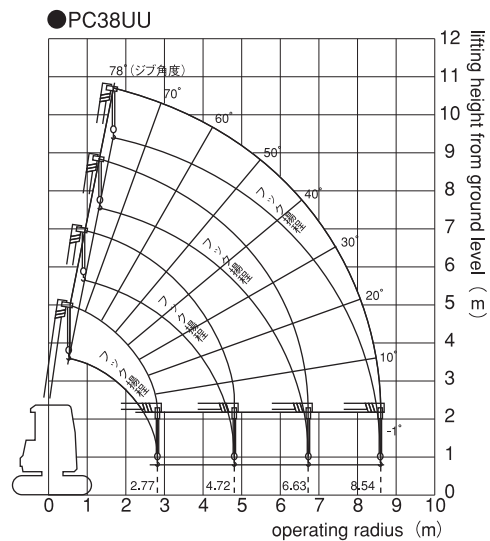
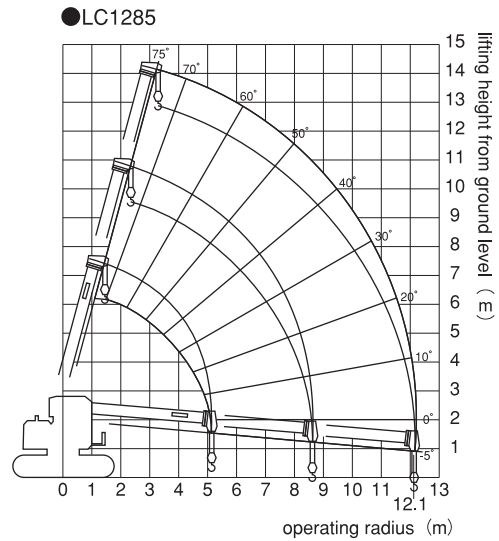


LC1285 PC38uu

Dimension



Working Range Diagram



Maximum Loading Chart(kg)

●LC1285

| Operating radius(m) | Boom length (telescopic) 5.3m | | 5.3m~8.8m | | 5.3m | |
|---------------------|-------------------------------|-----------|-----------|-----------|---------|-----------|
| | Resting | Traveling | Resting | Traveling | Resting | Traveling |
| 2.00 | 4,900 | 2,000 | | | | |
| 2.50 | 4,900 | 2,000 | 4,900 | 2,000 | | |
| 3.00 | 4,300 | 2,000 | 4,300 | 2,000 | | |
| 3.50 | 3,550 | 1,775 | 3,550 | 1,775 | 3,000 | 1,500 |
| 4.00 | 3,050 | 1,525 | 3,050 | 1,525 | 3,000 | 1,500 |
| 4.50 | 2,650 | 1,325 | 2,650 | 1,325 | 2,600 | 1,300 |
| 5.00 | 2,250 | 1,125 | 2,250 | 1,125 | 2,250 | 1,125 |
| 5.50 | | | 2,000 | 1,000 | 2,000 | 1,000 |
| 6.00 | | | 1,800 | 900 | 1,800 | 900 |
| 6.50 | | | 1,600 | 800 | 1,600 | 800 |
| 7.00 | | | 1,400 | 700 | 1,400 | 700 |
| 8.00 | | | 1,100 | 550 | 1,100 | 550 |
| 9.00 | | | | | 950 | 475 |
| 10.00 | | | | | 800 | 400 |
| 11.00 | | | | | 680 | 340 |
| 12.15 | | | | | 560 | 280 |

●PC38uu

| Operating radius(m) | Boom length (telescopic) boom1 | | boom1+2 | | boom 1+2+3 | boom 1+2+3+4 |
|---------------------|--------------------------------|-----------|---------|-----------|------------|--------------|
| | Resting | Traveling | Resting | Traveling | Resting | Resting |
| 1.5 | 2,750 | 1,370 | 2,750 | 1,370 | | |
| 1.8 | 1,980 | 990 | 1,980 | 990 | | |
| 2.0 | 1,600 | 800 | 1,600 | 800 | | |
| 2.5 | 1,280 | 640 | 1,220 | 610 | 1,190 | |
| 3.0 | | | 910 | 450 | 910 | |
| 3.5 | | | 710 | 350 | 710 | 710 |
| 4.0 | | | 570 | 280 | 570 | 570 |
| 4.5 | | | 480 | 240 | 480 | 480 |
| 5.0 | | | | | 420 | 420 |
| 6.0 | | | | | 310 | 310 |
| 7.0 | | | | | | 240 |
| 8.0 | | | | | | 200 |
| 8.4(8.6) | | | | | | 180 |

Specifications

| M A K E | | | KOMATSU | KOMATSU |
|-----------------------|---------------------------|--------|----------------|--------------|
| M O D E L | | | LC1285 | PC38uu |
| Total weight | | kg | 12,500 | 3,820 |
| Dimensions | Overall length | A mm | 7,040 | 3,900 |
| | Overall width | B mm | 2,460 | 1,740 |
| | Overall height | C mm | 2,850 | 2,480 |
| | Track gauge | D mm | 1,960 | 1,440 |
| | Length of track on ground | E mm | 2,750 | 1,610 |
| | Min. ground clearance | mm | 445 | 310 |
| Performance | Max. lifting load | ton×m | 4.9×2.5 | 2.75×1.5 |
| | Max. operating radius | m×ton | 12.1×0.56 | 8.54×0.18 |
| | Max. lifting height | m | 12.8 | 9.3 |
| | Boom length | mm | 5,300~12,300 | 2,850~8,620 |
| | Boom telescopic speed | sec/m | 18 | 21.4/5.77 |
| | Swing speed | rpm | 3 | 2.5 |
| Travel speed | | km/h | 4.0/2.4 | 3.4 |
| Fly wheel house power | | kw/rpm | 62.5(85)/1,900 | 22(30)/2,700 |
| Fuel tank capacity | | L | 135 | 35 |