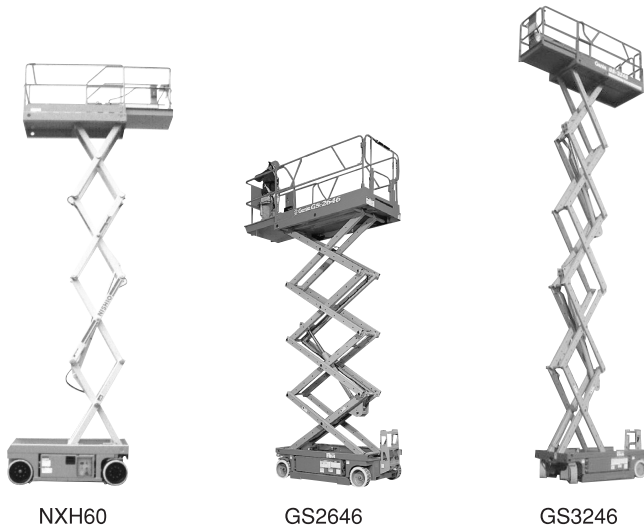


Scissor Lift Skid-Steer Loader

Scissor Lift



NXH60

GS2646

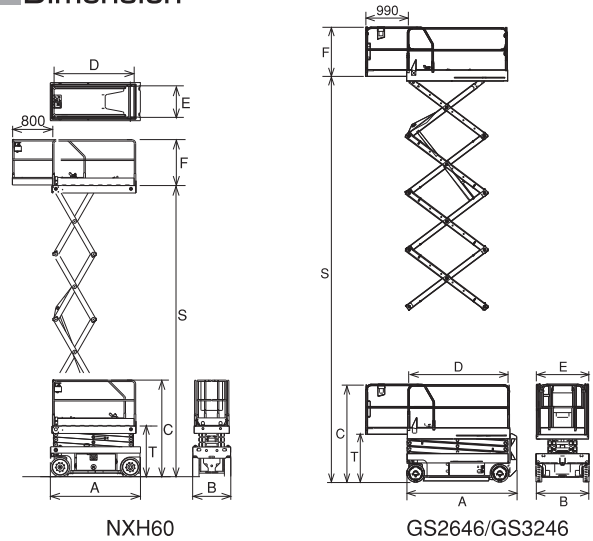
GS3246

Specifications

MODEL	NXH60	GS2646	GS3246
Normal working height	7,800mm	9,900mm	11,750mm
Maximum height of platform	S 5,800mm	7,900mm	9,750mm
Safe working load	200[100]kg	454[113]kg	318[113]kg
Dimensions	Overall length A	1,800mm	2,438mm
	Overall width B	780mm	1,168mm
	Overall height C	1,925mm	2,169mm
Platform size	length D	1,595[800]mm	2,261[990]mm
	width E	630mm	1,160mm
	Guardra F	915mm	1,000mm
Weight of complete unit	1,360kg	2,055kg	2,327kg

[] ...Slide deck

Dimension



NXH60

GS2646/GS3246

Skid-Steer Loader



S150

Specifications

MAKE	BOBCAT	
MODEL	150	
Bucket capacity	0.3 m³	
Dimensions	Operating weight	2,568 kg
	Overall length A	3,309 mm
	Overall width B	1,676 mm
	Overall height C	1,938 mm
	Wheelbase D	1,030 mm
	Ground clearance F	191 mm
Bucket	Capacity	680 kg
	Width G	1,727 mm
	Hinge pin height H	2,909 mm
	Dumping clearance at 40° I	2,194 mm
Traveling speed	11.3 km/h	
Fuel tank capacity	Diesel 87 liters	
Tire	Solid Tire	

*Fork, Breaker and Sweeper attachment are also available.

Dimension <150>

