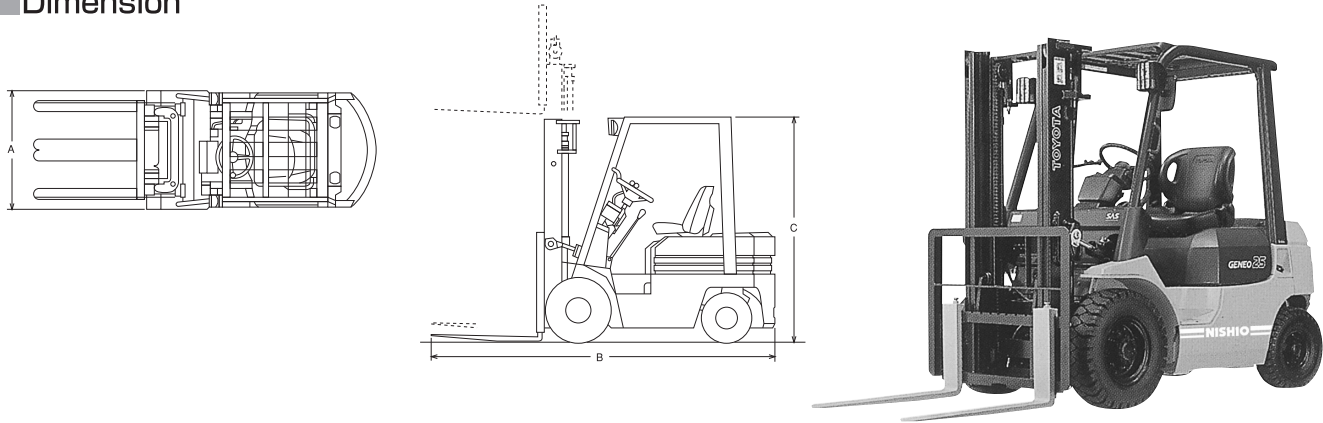


Forklift • Pallet Truck Camel Ladder

Forklift

Dimension



Specifications

M A K E	TOYOTA			
M O D E L	FD25	FD30	FD40	FD50
Rated capacity(kg)	2,500	3,000	4,000	5,000
Dimension Overall length A (mm)	3,670	3,815	4,200	4,400
Overall width B (mm)	1,150	1,240	1,450	1,450
Overall height C (mm)	2,060	2,120	2,240	2,235
Fork length (mm)	1,070	1,070	1,070	1,220
Max lifting height(mm)	3,000	3,000	3,000	4,370
Minimum turning radius(mm)	2,240	2,400	2,750	2,810
Total weight(kg)	3,700	4,300	6,230	7,390

※High mast (4~6) is also available.

※Attachment-Extension fork

Pallet Truck



Specifications

M O D E L	NP25	
Max load	kg	2,500
Carrier length	mm	1,220
Middle height	mm	685
Mini height	mm	80
Max height	mm	200
Weight	kg	86

Camel Ladder



Specifications

M O D E L	SKY18-4
Platform Length	1,560mm
Platform Width	520mm
Weight	24.2kg
Stairs Width	799-865mm
Platform Height (to ground level)	1,456-1,817mm
Safe Working Load (SWL)	maximum150kg