

Mini Excavator Excavator Breaker

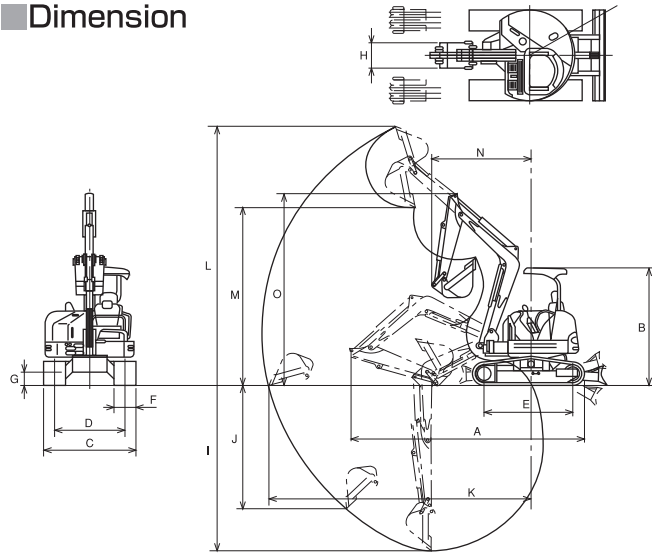
Mini Excavator

Singapore NISHIO RENT ALL SINGAPORE PTE. LTD.



PC27MR-2

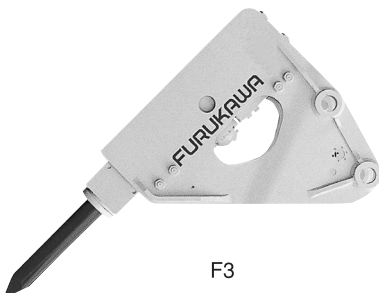
Dimension



Specifications

M A K E			KOMATSU	KUBOTA	KUBOTA	KUBOTA	KOMATSU
M O D E L			PC27MR-2	U30-3S	U35-5	U40-5	PC40MR-2
Bucket capacity		m ³	0.08	0.09	0.11	0.14	0.14
Dimensions	Operating weight	kg	2,990	2,990	3,360	4,030	4,540
	Overall length	A mm	4,320	4,485	4,695	5,340	5,390
	Overall height	B mm	2,530	2,350	2,440	2,455	2,625
	Overall width	C mm	1,550	1,550	1,700	1,960	1,960
	Track gauge	D mm	1,550	1,250	1,400	1,690	1,560
	Length of track on ground	E mm	1,485	1,665	1,665	1,990	2,000
	Track shoe width	F mm	300	300	300	400	400
	Ground clearance	G mm	320	290	290	320	320
Performance	Bucket capacity	m ³	0.08	0.09	0.11	0.14	0.14
	Bucket width	H mm	500	480	550	550	535
	Max. Digging depth	I mm	2,650	2,880	3,135	3,350	3,500
	Max. vertical wall digging depth	J mm	2,185	2,305	2,510	2,700	2,770
	Ground level max. reach	K mm	4,700	4,840	5,150	5,615	5,710
	Max. digging height	L mm	4,500	4,765	4,955	5,430	5,570
	Max. dumping height	M mm	3,230	3,325	3,525	3,800	3,860
	Boom swing angle / offset Boom	°	L 90 R 50	L70 R 50	L70 R 5°	L 75 R 48	L85 R50
Min. turn radius	mm	885	790	850	990	980	
Gradability	°	30	30	30	30	30	
Traveling speed		km/h	4.6	4.6	4.6	4.6	4.6
Engine	Rated output	ps/rpm	25.5/2,600	27/2,200	28.6/2,250	37.7/2,200	40/2,350
	Overall length	mm	1,550	1,550	1,700	1,960	1,960
Dozer blade	Overall length	mm	325	360	370	455	355
	Overall height	mm					
Fuel tank capacity		L	44	40	40	64	65

Excavator Breaker



F3



Specifications

Capacity	0.06~0.08m ³	0.08~0.11m ³
MODEL	F3	F4
Operating pressure (MPa)	10~14	10~14
Hydraulic operating fluid (l/min)	25~40	25~48
Number of blow (min ⁻¹)	850~1200	580~1,000
Overall length (mm)	1115	1,230
Operating weight (kg)	136	180