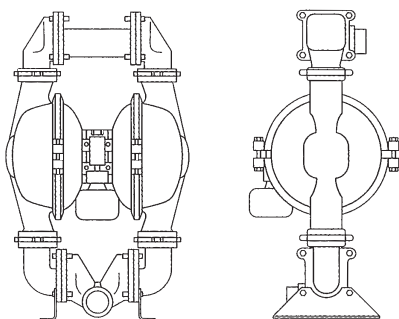


# Pump

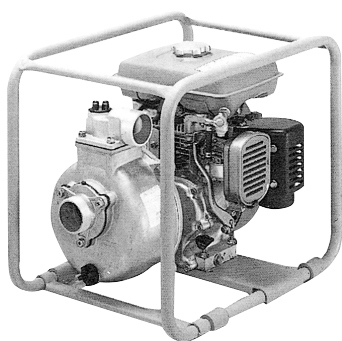
## Diaphragm Pump



### Specifications

M O D E L		M-8	M-15
Connection dia	mm (inch)	50(2)	80(3)
Total head	m	30	30
Delivery volume	l/min	560	900
Max suction head	m	7.62	7.62
Dimensions (L × W × H)	mm	410 × 285 × 673	508 × 304 × 813
Net weight (Dry Approx.)	kg	52.21	95.34

## Engine Pump



### Specifications

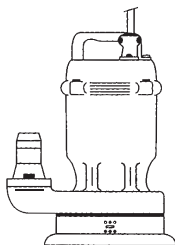
M O D E L		YDP30E	YDP40E
Pump	Connection dia	80m/m(3")	100m/m(4")
	Connection thread	Outer pipe thread	
Engine	Total head	m 25	28
	Delivery volume	l/min 900	1800
	Max suction head	m 8.5	8.5
	Model	L40AE	L75AE
Engine	Exhaust volume	cc 199	351
	Horse power	PS 4.2	7.5
	Fuel	Diesel	Diesel
	Fuel tank capacity	l 5.6	5.6
	Fuel consumption	l/h 2.5	
Dimensions (L × W × H)	mm	520 × 390 × 575	750 × 484 × 600
Net weight (Dry Approx.)	kg	41.5	64

# Pump

Water Pump (230V, Single Phase) Water Pump (400V, 3 Phase) Sand Pump (400V, 3 Phase)



LSP1.4S



## Water Pump (230V, Single Phase)

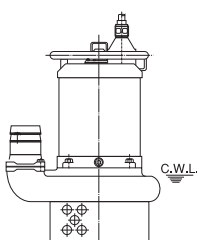
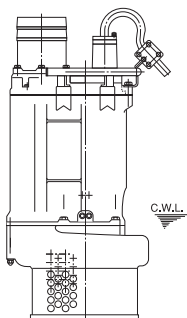
### Specifications

Motor output kW	Discharge bore Inch (mm)	Total head m	Capacity m <sup>3</sup> /min	MODEL	Dry weight kg	MAKER	Remarks	Generator kVA
0.48	1(25)	8.0	0.06	LSP1.4S	12.3	Tsurumi	Residual Dewatering	2
0.40	1(25)	8.0	0.10	LSC-4	14	Tsurumi	Residual Waterb Drainage	2
0.48	2(50)	8.0	0.12	LB-480A	11	Tsurumi	Autmatic	2
0.75	2(50)	10	0.18	LB-800	13.2	Tsurumi	Residual Dewatering	2

## Water Pump (400V, 3 Phase)

### Specifications

Motor output kW	Discharge bore Inch (mm)	Total head m	Capacity m <sup>3</sup> /min	MODEL	Dry weight kg	MAKER	Remarks	Generator kVA
1.50	2(50)	15.0	0.25	KTZ-21.5	30	Tsurumi		10
	3(80)	8.0	0.50	KTZ-31.5	30	Tsurumi		10
2.20	2(50)	20.0	0.30	KTZ-22.2	34	Tsurumi		10
	3(80)	10.0	0.60	KTZ-32.2	34	Tsurumi		10
3.70	2(50)	30.0	0.20	KTZ-23.7	56	Tsurumi	High head	10
	3(80)	20.0	0.50	KTZ-33.7	56	Tsurumi		10
	4(100)	10.0	1.00	KTZ-43.7	56	Tsurumi		10
5.50	3(80)	25.0	0.60	KTZ-35.5	71	Tsurumi	High head	20
	4(100)	15.0	1.00	KTZ-45.5	71	Tsurumi		20
	4(100)	15.0	1.00	KRS2-D4	104	Tsurumi		20
7.50	4(100)	30.0	0.80	KTZ-47.5	96	Tsurumi	High head	20
	6(150)	15.0	1.60	KTZ-67.5	98	Tsurumi		20
	9.00	6(150)	16.0	2.00	KRS2-69	155	Tsurumi	
6(150)		15.0	1.80	KRS2-150	168	Tsurumi		37
8(200)		8.0	2.50	KRS2-150	161	Tsurumi		37
11.00	4(100)	35.0	1.00	KTZ-411	132	Tsurumi	High head	37
	6(150)	20.0	1.70	KTZ-611	135	Tsurumi		37
	6(150)	15.0	2.00	KRS2-D6	157	Tsurumi		37
	6(150)	15.0	2.00	NKZ3-D6	192	Tsurumi	Force Agitation	37
15.00	8(200)	10.0	4.00	KRS2-8S	174	Tsurumi	Force Agitation	37
	8(200)	15.0	4.00	KRS-815	235	Tsurumi	Force Agitation	50
22.00	8(200)	20.0	4.00	KRS-822	390	Tsurumi	Force Agitation	75



## Sand Pump (400V, 3 Phase)

### Specifications

Motor output kW	Discharge bore Inch (mm)	Total head m	Capacity m <sup>3</sup> /min	MODEL	Dry weight kg	MAKER	Remarks	Generator kVA
11.00	4(100)	15.0	1.60	GNP3-100	220	Tsurumi	Force Agitation	37
	6(150)	13.0	2.00	GNP3-100	220	Tsurumi	Force Agitation	37