

Air Impact Wrench Exp-Proof Floodlight / Hand Lamp



EI-17PL MI-2500P MI-5500S

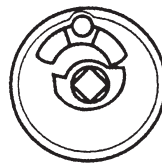


EI-17PL



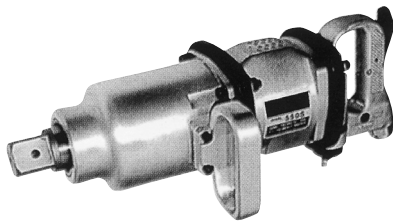
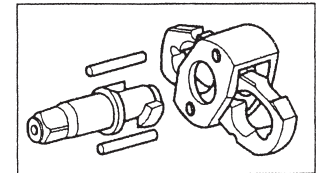
MI-2500P

TOKU's Pin-Less Clutch Mechanism



Pin-less clutch requires less parts and greatly reduces vibration, and generates constantly higher power.

TOKU's Twin Cam Hammer
Compact, light weight & high power

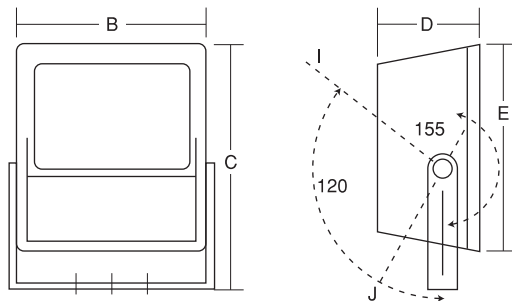


MI-5500S

Specifications

M O D E L		EI-17PL	MI-2500P	MI-5500S
Square Drive	in	1/2	1	1 1/2
Bolt Range	mm	16	25	55
Torque Range	kg · m	25-45	50-110	150-420
Max. Range	kg · m	R55 L60	130	560
Free Speed	rpm	5,500	5,300	3,600
Air Pressure	kg/cm ²	6	6	6
Air Consumption	m ³ /min	0.5	0.7	0.9
Air Inlet	pt	1/4	3/8	1/2
Hose Size	in	1/2	1/2	1/2
Weight	kg	2.4	8.5	18
Overall length	mm	176	268	520

Explosion-Proof Floodlight / Hand Lamp



A	B	C	D	E
3 1/8"	16 3/8"	25 1/2"	9"	17 7/8"
79mm	416mm	511mm	229mm	454mm
F	G	H	I	J
13mm	22mm	40mm	305mm	219mm



MVH-0400H



Slee40



GLS-60

Specifications

M O D E L	MVH-0400H	Slee40	GLS-60
Housing	Medium - Hazardous (400W)		60W
Wattage	400W	400W	60W
Lamp Type	Metal Halide	Metal Halide	GLS ES Lamp
Classification	UL844 CL.1Div.2 IIA,B,C IP66	Eexd IIB,CL.1Div.1,IP65	II 2 G EEx e d IIA T3
Voltage	240V / 110V	110V	230V / 110V / 24V
Weight	32 lbs.		6 lbs.
Dimensions(L×W×D)	20"×18"×10"		13" X 7" X 7"